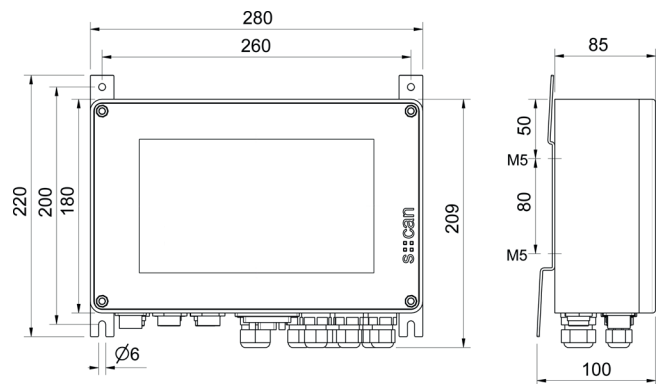


# con::cube V3

- s::can high-end IoT (Internet of Things) terminal based on an industrial PC, IP65
- wide screen color graphical display (9") and touch screen
- highly intuitive use, informative visualization & easy operation: time series, optical spectra and all events in clear text
- sensor and station management of up to 64 parameters: automatic cleaning, data logging, sample & calibration incl. history and multipoint calibration, sensor function check, user management, easy data transfer via USB-stick
- low power operation with less than 3 watt (@ 15 min. measuring interval): wide range AC and DC variants available
- IoT (Internet of Things) and M2M (Machine to Machine) connectivity: 1 Gb/s Ethernet, 300 Mb/s Wi-Fi 802.11a/b/g/n and optional worldwide HSPA+ 3G interface, remote control (http), data transfer into cloud via FTP, SSH and TML
- process interface to SCADA via: Modbus RTU/TCP, SDI-12, Profibus DP, analog 0/4-20mA and relay outputs (state)
- integration of third party sensors via: analog 0/4-20 mA and digital (solid state) inputs, Modbus RTU/TCP
- easily extendable: 8 slots to customize I/Os, moni::tool software pre-installed, additional software features like online data validation and event detection optional



## standard accessories

part number	article name
S-11-04-moni	moni::tool - Basic s::can monitoring station software for 4 parameters
D-315-out-relay	4 digital outputs (output module), provides 4 configurable relay contacts 1A
D-303-LX	Linux Application Licence (obligatory to D-315 and D-330)

### technical specification

integration of	1 x s::can spectrometer probe and 4 x s::can sensors or ISE probes	power consumption (typical)	1.5 W (in sleep mode) 10 W (no analogue ports) 30 W (fully equipped)
display	color-display 9" TFT	power consumption (max.)	20 W (no analogue ports) 60 W (fully equipped)
function indicator	4 x RGB LED	analog outputs	up to 8x2 x 0/4-20 mA
operation via	integrated touch-screen (optional) Ethernet - Browser or VNC WIFI - Browser or VNC USB (keyboard, mouse) 3G modem (optional)	analog inputs	up to 8x2 x 0/4-20 mA
operating system	Linux	outputs for automatic cleaning	2
main memory	2 GB RAM	digital inputs	up to 8x2 x 14 VDC
onboard memory	16 GB	relay outputs	4 x 2A (500 VAC)
interface to s::can spectrometric probes	1 x M12, Ethernet	system error relay	1 x 2A (500 VAC)
interface to s::can sensors	4 x sys plug, RS485	dimensions (width x height x depth)	280 x 209 x 85 mm
interface to third party sensors	Modbus RTU/TCP, analog inputs	housing material	aluminium alloy, powder coated
network connection	802.11n a/b/g WLAN 300Mb/s Ethernet LAN 1Gb/s worldwide 3G HSPA+	weight (min.)	4 kg
interface to SCADA	Modbus RTU/TCP, Profibus DP (optional), SDI-12 (optional), analog outputs	operating temperature	-20 ... 50 °C
data transfer	via SSH, FTP, TML (XML) and USB stick	storage temperature	-20 ... 60 °C
remote control	via http	storage humidity	5 ... 90 %
power supply	D-330-230: 100 ... 240 VAC D-330-024: 10 ... 36 VDC	ingress protection class	IP65
grounding	<0.5 Ohm to process media	conformity - EMC	EN 61326-1
		conformity - safety	IEC/EN/UL/CSA 61010-1 IEC/EN/UL/CSA 61010-2-201 IEC/EN 60529
		part number 24V	D-330-024
		part number 230V	D-330-230

### recommended accessories

part number	article name
C-31-eu	Optional 2 m power cable
C-32-MIL	Cable to connect a V2 spectrometer probe to a con::cube V3 terminal
D-315-3GLX	Worldwide 3D internet connection via Quad-band HSPA (up to 5.7 Mbps/21 Mbps)
C-31-us	Optional 2 m power cable
D-315-in-mA	2 analogue inputs (input module), provides 2 analogue inputs (4-20mA) for integration of 3rd party readings
D-315-in-relay	2 digital inputs (input module), provides 2 digital IN (5-24V) for integration of 3rd party readings
D-315-out-mA	2 analogue outputs (output module), provides data transfer to PLC systems
D-315-out-Profibus	Provides Profibus DPVO for data transfer to PLC systems
D-315-out-SDI12	SDI 12 (output module), provides SDI 12 for data transfer to PLC systems
F-51	Weather shield for s::can terminals
D-315-antenna-pro	External, high range antenna option for con::cube, incl. 10 m extension cable
D-315-antenna-plug	Internal antenna adapter cable and connector, option for con::cube
S-14-vali	vali::tool - s::can data validation software
S-11-data-export	moni::tool - automatic data transfer (via SSH, FTP, TML)
S-11-free-formula	moni::tool - configureable mathematic formula
S-11-SMS	moni::tool - SMS notification
S-11-autosampler	moni::tool - auto sampler feature
S-11-basic-PLC	moni::tool - basic PLC functionality (time control, pulsing, custom bits)
S-11-camera	moni::tool - camera input
S-15-ana	ana::tool - s::can event detection software
S-20-MVA	Complete license of all moni::tool modules, vali::tool and ana::tool